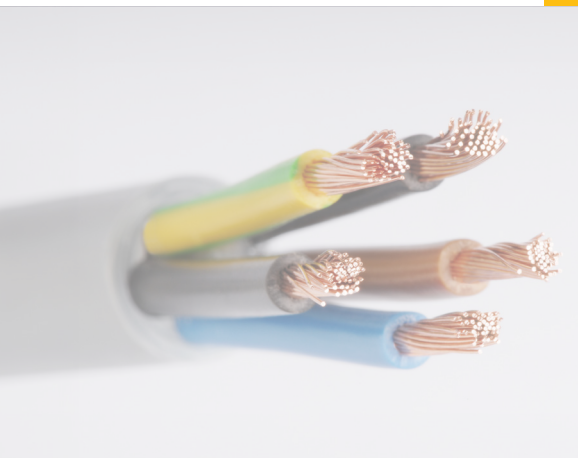


SYSTEMATIC QUALITY

Cables/ Cable crossovers



Catalogue



Special notes Special hints

Page 3

Special notes Special options



Page 3



Page 3

GIFAS special cables

Pages 4-7

Gifaflex
CH-N07V3V3-F



Page 4

Euroflex
H07 BQ-F



Page 5

Proflex
H07 RN-F



Page 6

Titanex
H07 RN-F



Page 7

Ready-made cables

Pages 8-10

Equipment connection leads



Page 8

Extension cables



Page 9

Distributor boxes three-way coupling



Page 9

Spiral cables



Page 10

Spiral ground cables



Page 10

Special cables Hospital box Hospital cable

Pages 11-14

Reeling cable



Page 11

Gifaplast-2TY



Page 11

Spiral cables STY PVC/PUR



Page 12

Hospital box/
Hospital cable



Pages 13-14

Cable crossovers Hose bridges Applications

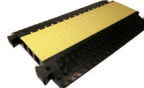
Pages 15-19

SMART



Page 15

MIDI



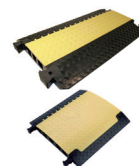
Page 16

DEFENDER 3 2D



Page 17

STANDARD
MAXI



Page 18

Applications



Page 19

Introduction

Control and special cables, flexible or pre-fabricated lines for various, predominantly mobile and temporary installations. Designed for standard application in commerce, construction and industry.

Whether indoors or outdoors, we provide custom-made solutions that leave nothing to be desired!

Benefits of our system

- large product range in stock
- individual pre-fabricated cables
- completely pre-fabricated cables in stock
- for every application in industry, construction, the garden, etc.
- cable labelling possible

Our services

- individual consultation
- proven product range
- tailor-made, customized solutions
- manufacturing from small to large quantities
- lifetime availability of spare parts
- technical drawing (if required in 3D)
- competent advice on installation

Special options

Colours Gifaflex (page 4)

When purchasing over 500m (unless in the standard range) of one size, the following cable colours are available for a small surcharge:

Grey RAL7001	Blue RAL5015	Black RAL9005
Brown RAL8004	Green RAL6010	Orange RAL2003
Red RAL3000	Yellow RAL1021	

Other special cable colours on request.

Colours Euroflex (page 5)

Other colours possible with a minimum quantity of 1'000m.

Customer printing

Cable types Gifaflex and Euroflex can be labelled according to your requirements (e.g. company name, but no logos).

- Free printing:
 - from 500m (10/16mm² from 200m) per order (max. 3 sizes, assorted)
- Connection and extension cable:
 - from 30 items per order (max. 3 items, assorted)
- Smaller orders:
 - Surcharge of 40 Swiss Francs per order

Packaging

Unless otherwise agreed, the cable lengths will be ready-assembled onto 100m rings or wound onto a loan cable drum (depending on the size).

Production lengths

At 500m and more, +/-10% may be over/under-delivered due to production processes. Delivery in one piece can only be guaranteed on the basis of an additional agreement.

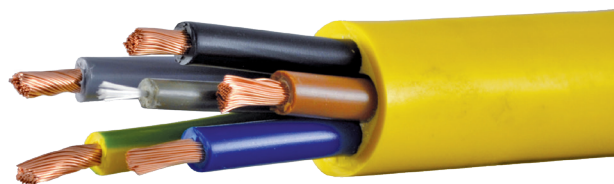
Wire identification

The wire colours have been internationally coordinated since 1 October 2006 (standard HD 308 S2).

HD 308 S2



Gifaflex: The universal, reinforced connection line Cable type CH-N07V3V3-F



Special features

The Gifaflex cable is a heavy, cold-resistant cable, has excellent tensile strength and elongation properties. It has a very good fire behaviour and low depth of impression. This assistance to the chemical effects of acids, weak alkalis and low alcohols. The Gifaflex cable is resistant to atmospheric influences. Thanks to these properties, it can be used as a standard cable of above-average quality.

Applications

Equipment, machine industry/assembly industry/foodstuff industry/transport (e.g. railways)/mechanical workshops/construction sites/agriculture/communal operations. (Use conforming to VDE 0298, part 3)

Technical data

Operating voltage U_0/U :	450/750V
Test voltage:	2'000V – 3'000V/50Hz
Temperature range:	-25°C to +70°C, inactive up to -40°C
Minimum bend radius:	10×D (D = cable Ø)
Strand/casing:	Cu-flex (VDE 0295 class 5) Gifaplast/Gifaplast (special mixture)
Casing colour:	bright yellow RAL1021 (standard) or as required

Customer printing

The cable can be printed with your company name (according to your requirements). For further information, see page 3.

Size No. of poles × mm ²	yellow Item no.	orange Item no.	red Item no.	blue Item no.	green Item no.	black Item no.	Strand structure Number × mm	External- Ø approx. mm	Weight kg / 100 m	Strand code ¹⁾ HD 308 S2
2×1.0	010635	010683	043587	017326	018708	016450	32×0.20	7.3	6.0	bl,br
3×1.0	010636	010684	030278	030279	010712	010742	32×0.20	7.8	7.9	gn / ye,bl,br
5×1.0	010638						32×0.20	9.5	11.5	gn / ye,bl,br,black,gr
2×1.5	010641	014010	015891	026667	021200		30×0.25	8.0	10.0	bl,br
3×1.5	010642	010685	010723	010754	010713	010748	30×0.25	8.6	11.0	gn / ye,bl,br
5×1.5	010644	010687		035881			30×0.25	10.6	14.5	gn / ye,bl,br,black,gr
7×1.5	041453						30×0.25	12.6	19.5	1-6 black, num. gn / ye
3×2.5	010647	010688					50×0.25	10.0	15.0	gn / ye,bl,br
5×2.5	010649	010690	010725	010756	011655	026802	50×0.25	12.3	23.0	gn / ye,bl,br,black,gr
3×4.0	010651						56×0.30	12.1	23.0	gn / ye,bl,br
5×4.0	010653	010692		010757			56×0.30	14.9	38.0	gn / ye,bl,br,black,gr
5×6.0	010656	010694					84×0.30	16.7	51.0	gn / ye,bl,br,black,gr

High-flex. Version

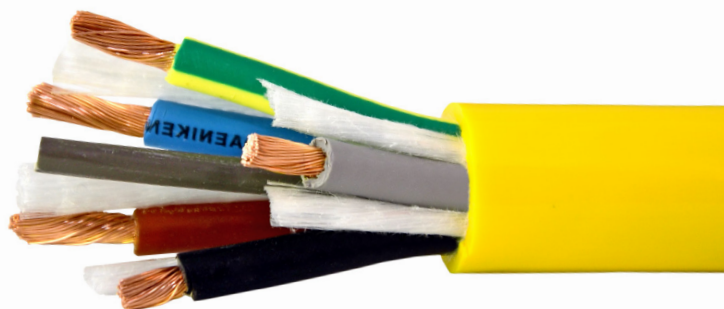
2×1.0						020872	128×0.1	7.3	6.0	bl,br
3×1.0						034287	128×0.1	7.8	7.9	gn / ye,bl,br
2×1.5						020873	191×0.1	8.0	10.0	bl,br

* Available while stocks last

¹⁾ See note on page 3

Other dimensions / versions available on request

Euroflex: A very special, high quality connection line (harmonised standard design) Cable type H07 BQ-F (1mm² = H05)



Special features

The Euroflex cable offers excellent features including high resistance to chemical effects from mineral oils/greases, alcohol-free petrol and kerosene, lakewater/seawater and waste water, microbes and rotting, acids and alkalis. The cable is suitable for contact with food. It is **halogen-free**. Its mechanical load capacity guarantees a long service life. It is also flexible when cold and offers low adhesion. The Euroflex cable also features very good resistance to weather conditions, UV radiation, ozone and oxygen as well as gamma radiation.

Applications

Chemical industry/equipment, machine industry/assembly industry/food-stuff industry/transport (e.g. railways)/mechanical workshops/construction sites/agriculture/communal operations.
Use: according to VDE 0250, part 818

Technical data

Operating voltage U_0/U : 1mm²: 300/500V/from 1.5mm²: 450/750V
Test voltage: 2'000V/50Hz/2'500V/50Hz
Temperature range: -40°C to +85°C
Minimum bend radius: 10×D (D = cable Ø)
Strand/casing: Cu-flex (HD 383 class 5)
EPR rubber/PUR
Casing colours: bright yellow RAL1021
orange RAL2004

Customer printing

The cable with dimensions up to 5×16 mm² can be printed with your company name (according to your requirements). For further information, see page 3.

Size No. of poles×mm ²	bright yellow Item no.	orange Item no.	Strand structure Number×mm	External-Ø approx. mm	Weight kg / 100 m	Strand code ¹⁾ HD 308 S2
3×1.0*	046864		32×0.194	7.7	7.1	gn/ye,bl,br
3×1.5	046866		28×0.253	9.2	10.7	gn/ye,bl,br
5×1.5	046868		28×0.253	11.0	16.2	gn/ye,bl,br,black,gr
3×2.5	046869		48×0.253	10.7	16.1	gn/ye,bl,br
5×2.5	046873		48×0.253	13.3	25.0	gn/ye,bl,br,black,gr
1×4.0 ²⁾	248743		56×0.300	6.0	5.9	
5×4.0	046874		56×0.295	15.4	36.0	gn/ye,bl,br,black,gr
5×6.0	046876		84×0.385	17.8	47.0	gn/ye,bl,br,black,gr
5×10.0	046878		84×0.385	24.0	82.0	gn/ye,bl,br,black,gr
5×16.0	046879		133×0.385	27.4	118.0	gn/ye,bl,br,black,gr
5×25.0 ³⁾	135783		203×0.385	33.3	167.0	gn/ye,bl,br,black,gr
5×35.0 ³⁾	135784		288×0.385	37.5	231.0	gn/ye,bl,br,black,gr
5×50.0 ³⁾	135785*		408×0.385	44.2	321.0	gn/ye,bl,br,black,gr
5×50.0 ³⁾		031645	408×0.385	43.5	341.0	gn/ye,bl,br,black,gr
5×70.0 ³⁾	135786*		342×0.490	50.3	448.0	gn/ye,bl,br,black,gr
5×70.0 ³⁾		036909	342×0.490	48.0	460.0	gn/ye,bl,br,black,gr
5×95.0		031952	475×0.490	54.0	595.0	gn/ye,bl,br,black,gr

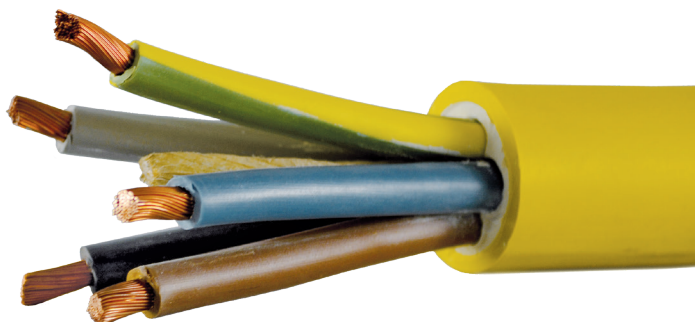
* Available while stocks last

¹⁾ See note on page 3

²⁾ fine copper conductor tin-plated / insulation EPR / outer sheath PUR

³⁾ Based on HD 22.12

Proflex: Special cable for extremely low ambient temperatures Cable type H07 RN-F (1mm² = H05)



Special features

The outer casing of the Proflex 07 cable consists of mechanically extremely high loading capacity polychloroprene. The structure of the silicone-free cable ensures a high degree of flexibility, excellent resistance to weather conditions, ozone, oil and alkalis, and a high thermal loading capacity. Permitted for permanent installation up to 1'000V.

Applications

In demanding industrial environments / construction sites / tunnel construction / trimming plants / EX area (VDE 0165).

Use: to VDE 0282-4 and VDE 0282-810 (construction site usage)

Customer printing

The cable can be printed with your company name (according to your requirements).

Technical data

Operating voltage U_o/U :	450V/750V
Test voltage:	2'500V/50Hz
Temperature range:	
– moves:	–30°C to +85°C
– inactive:	–50°C to +85°C
– short-term:	up to +200°C
Minimum bend radius:	4×D (D = cable Ø)
Strand/casing:	Cu-flex (VDE 0295 class 5) polychloroprene/polychloroprene (VDE 0207)
Casing colour:	yellow

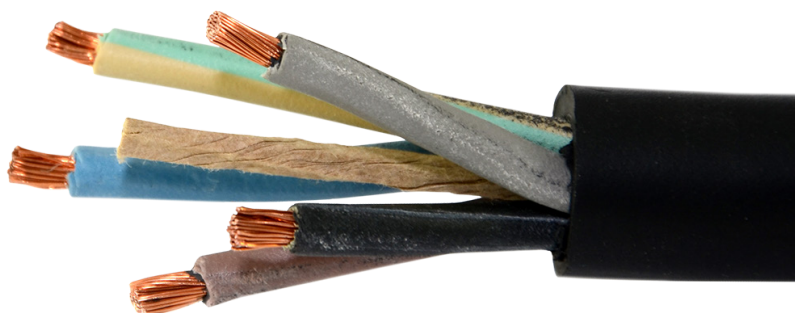
Size No. of poles × mm ²	Item no.	Strand structure Number × mm	External-Ø approx. mm	Weight kg / 100 m	Strand code 1) HD 308 S2
3 × 1.5	021667	30 × 0.25	9.9	15.0	gn / ye,bl,br
5 × 1.5	047942	30 × 0.25	11.9	23.0	gn / ye,bl,br,black,gr
2 × 2.5*	047934	50 × 0.25	10.8	17.5	bl,br
3 × 2.5	047936	50 × 0.25	11.6	21.5	gn / ye,bl,br
5 × 2.5	047943	50 × 0.25	14.5	32.5	gn / ye,bl,br,black,gr
5 × 4.0	047944	50 × 0.30	16.6	47.5	gn / ye,bl,br,black,gr
5 × 6.0	044594	84 × 0.30	18.3	63.0	gn / ye,bl,br,black,gr
5 × 10.0	044591	80 × 0.40	24.1	84.0	gn / ye,bl,br,black,gr
5 × 16.0	044595	128 × 0.40	28.4	153.0	gn / ye,bl,br,black,gr

* Available while stocks last

¹⁾ See note on page 3

Titanex*: Versatile, universal industry cable

Cable type H07 RN-F (1 mm² = H05)



Special features

The design of the silicone-free cable ensures high flexibility and high resistance to oils and greases, even in an alkaline or acid environment.

* Version «Standard» («Premium» on request)

Applications

In the area of very extreme mechanical and thermal loads. Agriculture/building sites/trade/fire hazard establishments/sports facilities/event technology/stage and musical performance/temporary buildings/barracks/cooling installations/photovoltaics/steel industry/swimming pool technology/robotics

Technical data

Operating voltage U ₀ /U:	450V/750V
Test voltage:	2'500V/50Hz
Temperature range:	
– moves:	–35° C bis +90° C
– inactive:	–60° C bis +90° C
– short-term:	up to +200° C
Minimum bend radius:	3 - 4 × D (D = Cable Ø)
Strand/casing:	Cu-flex (VDE 0295 Kl. 5) rubber insulation type T14 / Rubber outer sheath type EM2 by HD22, (crosslinked elastomer), (VDE 0282)
Casing colour:	black
Water resistance:	AD6 (sonic water)

Size No. of poles × mm ²	Item no.	Strand structure Number × mm	External-Ø mm min. max.		Weight kg / 100 m	Strand code 1) HD 308 S2
3 × 1.0	036790	32 × 0.20	8.3	10.7	11.7	gn / ye, bl, br
2 × 1.5	036791	30 × 0.25	8.5	11.0	11.1	bl, br
3 × 1.5	052562	30 × 0.25	9.2	11.9	13.4	gn / ye, bl, br
5 × 1.5	028362	30 × 0.25	11.2	14.4	23.8	gn / ye, bl, br, black, gr
3 × 2.5	019470	50 × 0.25	10.9	14.0	19.5	gn / ye, bl, br
5 × 2.5	019471	50 × 0.25	13.3	17.0	29.7	gn / ye, bl, br, black, gr
5 × 4.0	018735	50 × 0.30	15.6	19.9	45.3	gn / ye, bl, br, black, gr
5 × 6.0	054822	84 × 0.30	17.5	22.2	55.7	gn / ye, bl, br, black, gr
5 × 10.0	028364	80 × 0.40	22.9	29.1	100.1	gn / ye, bl, br, black, gr
5 × 16.0	028363	128 × 0.40	26.4	33.3	143.0	gn / ye, bl, br, black, gr
5 × 25.0	030963	205 × 0.40	32.0	40.4	209.6	gn / ye, bl, br, black, gr
5 × 35.0	030964	290 × 0.40	35.6	45.1	270.0	gn / ye, bl, br, black, gr
5 × 50.0	036797	410 × 0.40	41.8	53.0	383.5	gn / ye, bl, br, black, gr

¹⁾ See note on page 3

²⁾ For specific applications only: yellow-and-green, blue, brown, black

Equipment connection leads

Special features

- all plugs vulcanized directly onto the cable
- ends cut off to leave a smooth finish; on request and against surcharge dismantled and furnished with conductor sleeves.

Customer printing

The connection leads for cable types Gifaflex, Euroflex and Proflex can be printed with your company name (according to your specifications).



IP20, Cable Gifaflex (For technical specifications, see page 4)

Plug	Size No. of poles × mm ²	Length	yellow Item no.	red Item no.	orange Item no.	green Item no.	blue Item no.	black Item no.	highly flexible. black Item no.	Protection category	
CH type 11	2 × 1.0	3m	010815	043475	012441	047960	047958	047964		IP20	
		5m	010816	047961	010825	018970	017352	011964	020875	IP20	
		10m	010817								IP20
		15m	013389								IP20
		20m	106828								IP20
		25m	029258								IP20
	2 × 1.5	3m	010840	037207	037208	037209	037210			IP20	
		5m	010841	037211	037212	021298	037213		020876	IP20	
		10m	025984								IP20
CH type 12	3 × 1.0	3m	010828	047978	012442	018969	047981	047983		IP20	
		5m	010829	047979	012443	018966	047982	029725	047985	IP20	
		10m	010830								IP20
		30m	053822								IP20
	3 × 1.5	3m	010843	037214	037215	037216	037217	010849		IP20	
		5m	010844	010850	019605	021297	022330	037218		IP20	
		10m	010845							IP20	
		25m	059891							IP20	
		30m	018361							IP20	
		35m	044189							IP20	
		50m	056821							IP20	
CH type 23	3 × 1.5	5m	043041							IP20	
	3 × 1.5	10m	043043							IP20	
D contour plug*	2 × 1.0	3m	050290							IP20	
		5m	050291							IP20	
		10m	050292							IP20	
	2 × 1.5	3m	050293							IP20	
		5m	050294							IP20	
		10m	050295							IP20	
D safety contact plug*	3 × 1.5	3m	054089							IP20	
		5m	050296							IP20	
		10m	050297							IP20	

IP55, Cable Gifaflex (For technical specifications, see page 4)

Plug	Size No. of poles × mm ²	Length	yellow Item no.	red Item no.	orange Item no.	green Item no.	blue Item no.	black Item no.	highly flexible. black Item no.	Protection category
CH type 11	2 × 1.0	3m	242044							IP55
		5m	242045							IP55
	2 × 1.5	10m	242054							IP55
		3m	242047							IP55
		5m	242046							IP55
CH type 13	3 × 1.0	5m	242049							IP55
		10m	242051							IP55
	3 × 1.5	3m	242052							IP55
		5m	242053							IP55
		10m	242050							IP55
		25m	242058							IP55
		30m	242055							IP55
		50m	242056							IP55

Diverse connection leads are normally available directly from stock. Any cable colours and sizes not given here are available on request. For further information, see page 3.

Extensions

Special features

- all extensions given are in the standard yellow colour.
- the versions are given in the table.

Customer printing

The extensions for cable types Gifaflex and Proflex can be printed with your company name (according to your specifications).



Cable Gifaflex (For technical specifications, see page 4)

Plug	Version Plug/Coupling	Size No. of poles×mm ²	5 m	10 m	20 m
------	-----------------------	-----------------------------------	-----	------	------

IP20

T12/T13 230V	Vulcanized	3×1.0	010869		
T12/T13 230V	Vulcanized	3×1.5	010871	010872	011855

IP44

CEE 16/3 230V	Plastic mounted	3×1.5	050323	050328	050329
CEE 16/5 400V	Plastic mounted	5×2.5	050330	050331	050332
CEE 32/5 400V	Plastic mounted	5×4.0	082907	066842	081054
CEE 32/5 400V	Plastic mounted	5×6.0	067326	066421	066521
CEE 16/5 400V	Solid rubber mounted	5×2.5	026777	026778	026779
CEE 32/5 400V	Solid rubber mounted	5×4.0	037676	037677	037678
CEE 32/5 400V	Solid rubber mounted	5×6.0	036078	064513	056850

IP55

T13/T13 230V	Plastic mounted	3×1.5	228481	228490	228494
T23/T23 230V	Plastic mounted	3×1.5	228482	228491	228495
T15/T15 400V	Plastic mounted	5×1.5	228462	228466	228468
T25/T25 400V	Plastic mounted	5×1.5	227960	227961	228026

Diverse extensions are normally available directly from stock.

Other cable colours and sizes are available on request.

We can also supply special designs (transition cable, special plug connectors).

For further information, see page 3.

Cable Proflex (For technical specifications, see page 6)

Plug/Coupling	Version Plug/Coupling	Size No. of poles×mm ²	10 m	20 m
---------------	-----------------------	-----------------------------------	------	------

IP44

CEE 16/3 230V	Plastic mounted	3×1.5	050274	050275
CEE 16/5 400V	Plastic mounted	5×2.5	050279	050281
CEE 32/5 400V	Plastic mounted	5×4.0	087029	081368
CEE 32/5 400V	Plastic mounted	5×6.0	050284	050285
CEE 16/5 400V	Solid rubber mounted	5×2.5	050262	050264
CEE 32/5 400V	Solid rubber mounted	5×4.0	037679	037680
CEE 32/5 400V	Solid rubber mounted	5×6.0	050267	050268

IP54

Safety contact plug 230V	Solid rubber mounted	3×1.5	050256	050257
--------------------------	----------------------	-------	--------	--------

IP67

CEE 63/5 400V	Plastic mounted	5×10.0	078445	045048
CEE 63/5 400V	Plastic mounted	5×16.0	050288	050289

Distributor boxes three-way coupling

(coupling part = small distributor box with 3×built-in sockets)

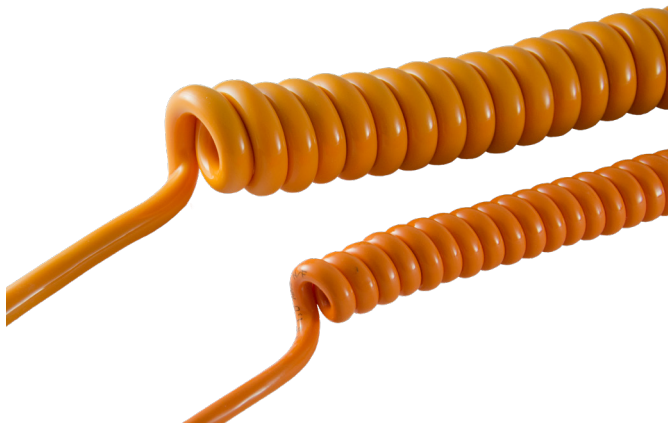
Plug/Coupling	Version Plug/Coupling	Size No. of poles×mm ²	5 m	10 m	20 m
---------------	-----------------------	-----------------------------------	-----	------	------

IP55

T13/3×T13	Plastic mounted	3×1.5	228506	228521	228527
T23/3×T23	Plastic mounted	3×1.5	228507	228522	228528
T15/3×T13	Plastic mounted	5×1.5	228508	228523	228529
T25/3×T23	Plastic mounted	5×1.5	228509	228524	228530

Other dimensions / versions available on request

Spiral cable



Technical data

Operating voltage U_o/U : 300/500V to 1.0mm², 450/750V from 1.5mm²
 Test voltage: 3'000V
 Temperature range: -30° C to +80° C
 Strand/casing: PVC/PUR
 Casing colour: orange

Special features

Long-lasting retractive force (even in daily use in tough conditions) characterise these spiral cables. High impact toughness, resistance to acids and alkalis, UV and weather-resistant are other features.

Applications

For robots /drilling machines(screwdrivers and other manual equipment)/ high performance machines/hoisting platforms/Lights

Size No. of poles×mm ²	Item no.	Strand structure Number× mm	Exter- nal-Ø approx. mm	Turn- ing length mm	Use- able length mm	free ends mm
3×1.0	010790	32×0.2	7.2	800	3'200	300
3×1.0	010791	32×0.2	7.2	1'200	4'800	300
5×1.0	012766	32×0.2	9.0	800	3'200	200
3×1.5	010792*	30×0.25	8.7	800	3'200	300
3×1.5	010793	30×0.25	8.7	1'200	4'800	300
4×1.5	010767	30×0.25	9.5	800	3'200	200
5×1.5	015036	30×0.25	10.3	500	2'000	200
5×1.5	010795	30×0.25	10.3	800	3'200	200
5×1.5	011925	30×0.25	10.3	1'200	4'800	200
7×1.5	010796	30×0.25	12.5	700	2'800	200
4×2.5	010797	50×0.25	10.8	800	3'200	200

* Casing: 05BQ-F

Other dimensions /versions available on request

Spiral ground cable



Technical data

Operating voltage U_o/U : 450/750V
 Test voltage: 2'500V
 Temperature range: -5° C to +70° C
 Tensile strength: min. 12.5N/mm²
 Elongation at tear: min. 150%
 Casing colour: yellow/green

Special features

This very special spiral ground cable has been developed for equipotential bonding (ground connection). A fine-wire grounding strand (yellow/green) is fed loose into a transparent polyurethane hose. Meeting maximum safety requirements and readiness for use under extreme conditions are the specifications for this product.

Applications

Regulation/measurement/control and lab technology/chemical industry/ medicine and electrical engineering / automobile industry / equipment construction/pneumatics and hydraulics/food industry

Size No. of poles×mm ²	Item no.	Strand structure Number×mm	Exter- nal-Ø approx. mm	Turning length mm	Useable length mm
1×6.0	012517	52×0.38	13.0	500	5'000
1×6.0	031341	52×0.38	13.0	1'000	10'000

Ready-made spiral ground cable

Special features

For frequently used applications we have produced various standard ready-made options. The grounding tongs and the cable lug used have been carefully selected. The connection points are cleanly and permanently sealed using a shrinkdown hose.

Component fitting start/end	Item no.	Size No. of poles×mm ²	Turning length mm	Useable length mm
Grounding tongs/ grounding tongs	021034	1×6.0	500	5'000
Grounding tongs/ grounding tongs	032179	1×6.0	1'000	10'000
Ground chuck/ cable lug ø 8mm	016180	1×6.0	500	5'000
Ground chuck/ cable lug ø 8mm	032180	1×6.0	1'000	10'000

Reeling cable



Technical data

Cable:	Conductor of tin-plated copper wires, to VDE 0295, cl. 5
Insulation:	rubber compound
Strand identification:	from 6 strands: black with white numbers
Temperature range:	mobile: -25°C to +80°C
Bend radius:	6.25 × D (D = cable Ø)
Operating voltage:	U ₀ /U 600 / 1'000V
Test voltage:	4'000V
Insulation resistance:	> 20MΩ/km
Carrying force:	up to 55 kg (dead weight must be observed)
Casing:	rubber compound colour black

Special features

Optimum-sized device made from natural fibres with high resistance to tearing forms the strain relief and at the same time the neutral core element forms the centre of the cable. With multi-layer cord add-on units, textile dividing layers prevent undesirable adhesion.

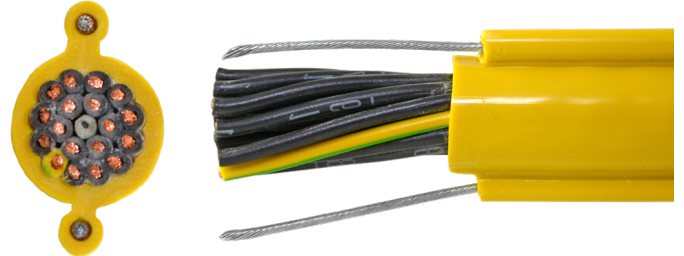
- flame-retardant to IEC 60332-1-2
- oil-resistant to EN 60811-404
- high chemical, thermal and mechanical strength
- UV resistance

Applications

- for use in lifting gear, transport and conveyor systems
- in wet and dry indoor areas, outdoors as well as max. 2 weeks continuously in process water.

Size No. of poles × mm ²	Item no.	Strand structure Number × mm	External-Ø approx. mm	Weight kg / 100m
18 × 1.5	204102	30 × 0.25	23.9	77.0

Gifaplast-2TY



Technical data

Cable:	strands made from fine copper wire, bare, to VDE 0295, cl. 6
Insulation:	special PVC, T12/Y12, to VDE 0207, part 4
Strand identification:	single colour, consecutively numbered by VDE 0293, with protective conductor
Temperature range:	moves: -30°C to +70°C inactive: -40°C to +70°C
Bend radius:	with changing bends 12 × D (D = cable Ø)
Operating voltage U ₀ /U:	300/500 V
Test voltage:	3'000 V
Insulation resistance:	> 20MΩ/km
Carrying force:	up to 135 kg absolute non-critical, critical point is at 190 kg (dead weight must be observed)
Casing:	PVC, TM2, YM2, to VDE 0207, part 5, colour: yellow

Special features

Gifaplast-2TY is a control lead with two steel cords embedded into the outer casing at the side. The cable therefore has a considerably higher load capacity and is largely free of axial torsion. The tractive forces produced are absorbed by two torsion-free steel cords, connected to the outer coating, parallel to the axis. Gifaplast-2TY has a robust, cryogenic and weather-resistant outer casing.

Applications

In crane and delivery systems on control push-buttons/in steel works/as self-contained shaft cable/in high-rack systems

Size No. of poles × mm ²	Item no.	Strand structure Number × mm	External-Ø approx. mm	Weight kg / 100m
18 × 1.0	041756	57 × 0.15	17.0 / 32.0	52.8

Other dimensions / versions available on request

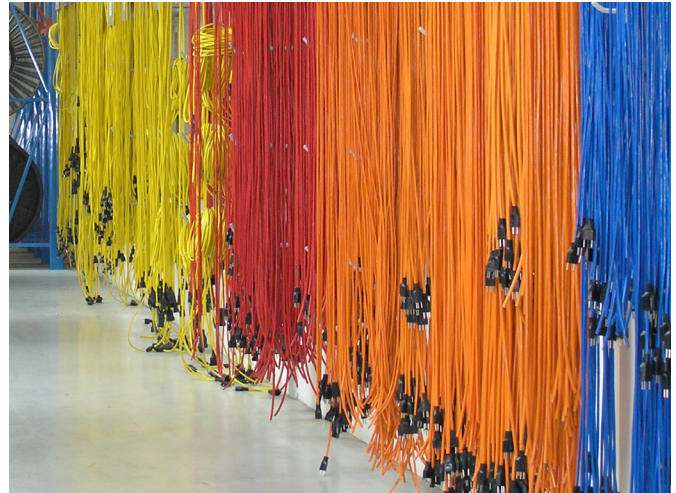
Spiral cable STY-PVC / PUR



Bulk cable at our camp

Technical data

- Cable: strand made from fine copper wire, bare, to VDE 0295, cl. 5
- Insulation:
- wires: PVC, to VDE 0207, part 4
 - casing: PUR
- Strand identification: wires are blue and numbered consecutively
- Assembly: concentric stranding
- Operating voltage: max. 500V,
- Insulation resistance: > 100 MΩhm/km
- Test voltage: wire/wire 3'000V, wire/shield 2'500V
- Temperature range:
- moves: -5°C to +70°C
 - inactive: up to -30°C



Our stock of connection and extension cable

Special features

The PVC/PUR spiral cable is ideal for special applications in the control, measurement and regulation technology in intrinsically safe systems. The concentric stranding with a static protection shield prevents faults in the transmission area. The poly wool banding guarantees optimum, 100 % protective shield at low and moderate frequencies and filters external electrical faults.

Applications

In damp areas (no external applications)/heating and air conditioning technology/measurement and control leads in machine tool engineering

Size No. of poles x mm ²	Item no.	Turning length mm	Freie Enden mm	External-Ø mm	Useable length mm
2x0.75	056377	600	200	6.7	1'800
2x0.75	044836	1'200	500	6.7	3'600



Cable available in different colors

Hospital box according to EN 60601-1



Technical data

Colour: silver anodised
 Dimensions: Housing exterior 400×110×78 mm (W×H×D),
 mass of holes 380×85×8 mm (W×H×Diam.)

Application

In areas used for medical purposes in group 0, 1 and 2
 in accordance to the SN HD 60364-7-710 standard

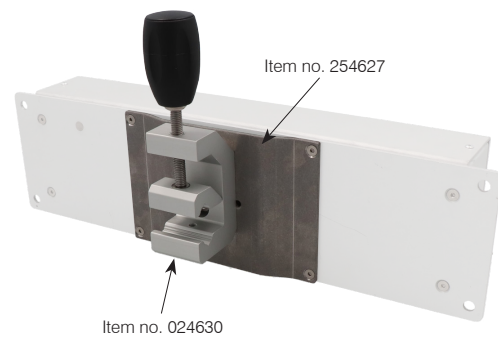
Product features

- tested according to:
 EN 60601-1 (Medical electrical equipment),
 SN HD 60364-7-710 (Requirements for premises, rooms and installations of a special nature – areas used for medical purposes),
 EN 61439-1 (Low-voltage switchgear and controlgear assemblies)
- Protection class IP20
- IP20 socket with hinged cover
- additional potential equalisation
- plug-in and plug-out protection available
- modular accessories available
- aluminium housing with mounting brackets
- corrosion-resistant
- UV-resistant and halogen-free
- resistant to ageing and temperature
- flame retardant

Available on request:

- IP20 socket without hinged cover
- IP55 socket with hinged cover

Item no.	Designation
254431	Hospital box aluminium, 4×T13 (IP20 with hinged cover), 5×Pot. equal., PE+zSPA connected
254432	Hospital box aluminium, 4×T13 (IP20 with hinged cover), 5×Pot. equal., PE+zSPA not connected



Accessories

Item no.	Designation
159691	Hospital equipment cable 3×1.5 black L=1.5m T12, T113 straight
133036	Hospital equipment cable 3×1.5 black L=2.5m T12, T113 straight
133037	Hospital equipment cable 3×1.5 black L=4.5m T12, T113 straight
143790*	Hospital equipment cable 3×1.5 black L=4.5m T12, T113 right-angle plug
255596	Safety clip, pull-out safety device for angled cable plug
254629	Plug-in protection, IP20
254628	Plug-out protection, IP20
024630	Aluminium mounting adapter for hospital profile
254627	Aluminium holder for hospital box for hospital profile item no. 024630

* in combination with item no.255596

Other versions available on request

Hospital equipment cord set



Technical data

Operating voltage:	450 / 750 V
Test voltage:	2'500 V / 50 Hz
Temperature range:	-40° C to +90° C
Minimum bend radius:	10 × D (D = cable diameter)
External diameter:	10.5 mm
Strand/casing:	EPR rubber/polyether/PUR, black RAL 9005
T12 plug:	vulcanised onto the cable
Equipment plug T113:	vulcanised onto the cable
Branch wires:	vulcanised onto the cable
MC angle plug:	type POAG-KBT 6 DIN, hand-assembled

Product features

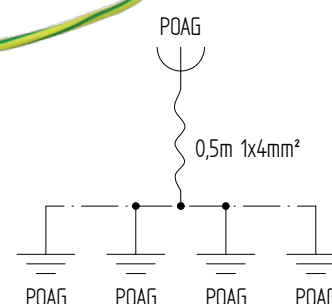
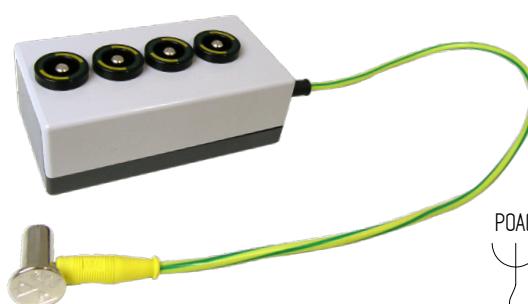
- tested in accordance with EN 60601-1 (medical electrical equipment)
- vulcanised connectors on both sides (Schuko/ T113)
- all-round vulcanised branch lines
- resistant double polyurethane casing (polyether/PUR)
- two functions in one cable
- concentrically fitted potential wire
- no concealed slots/notches
- exceptionally flexible round cable
- maximum flexibility grounding wire 4 mm²
- very short cleaning time
- 100% free of silicone and latex

Description

The GIFAS hospital equipment cables have been specially designed for hospitals with operating rooms and intensive care stations. It connects electrical equipment to the power source and also offers equipotential bonding with the grounding strand carried. With the concentrically fitted strand, the PUR cable remains exceptionally flexible.

Item no.	Designation
133036	GIFAS hospital equipment cord set, black, 2.5 m 3×1.5mm ² + 4mm ² , POAG, plug T12, connector T113
133037	GIFAS hospital equipment cord set, black, 4.5 m 3×1.5mm ² + 4mm ² , POAG, plug T12, connector T113
133038	GIFAS hospital equipment cord set, black, 2.7 m 3×1.5mm ² + 4mm ² , POAG, plug T12, for direct connection
133039	GIFAS hospital equipment cord set, black, 4.7 m 3×1.5mm ² + 4mm ² , POAG, plug T12, for direct connection
195544	GIFAS hospital equipment cord set, black, 4.5 m 3×1.5mm ² + 4mm ² , POAG, plug T23, connector C19
195545	GIFAS hospital equipment cord set, black, 4.7 m 3×1.5mm ² + 4mm ² , POAG, plug T23, for direct connection
860476	GIFAS hospital equipment cord set, PUR 3×1.5mm ² , black, L = 4.5 m with PE 4mm ² plug type Schuko, angled, equipment plug type 113

Potential distributor box



Potential distributor

Item no.	Designation
072443	Potential distributor box 4×MC-POAG, 0.5m connector w/POAG

Other versions on request.

Cable crossover SMART for cable max. Ø 30 mm



General

For many years, has a range of GIFAS cable bridges in the offer. This range was in this period expanded and improved to such new needs of the buyer's marked needs. Today, cable bridges meet the highest standards and have become accepted as the standard for big gatherings and events. Other applications include installations in industrial applications, and mobile sectors, construction companies and emergency services.

Highest quality

All GIFAS cable bridges are made of polyurethane in the fire protection class B2 (according to DIN 4102) and thus oil, acids, and gasoline resistant. The operating range is -40°C to $+70^{\circ}\text{C}$. The Shore hardness is $88 \pm 4\text{A}$. GIFAS cable bridges in accordance with EN 61537:2007; (IEC 61537:2006) in accordance with the provisions of Directive 73/23/EEC (Low Voltage Equipment).

Customer printing

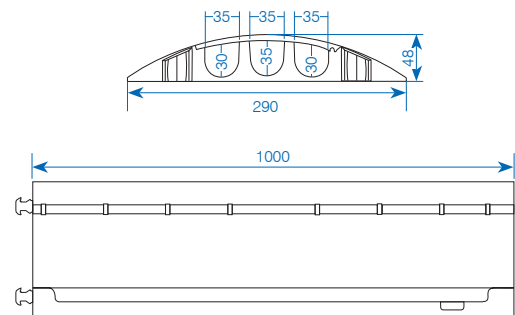
The cable bridges from 30 pcs. be printed with your company name/logo (as per your instructions).

Technical data

Material lower section:	polyurethane, black
Material lid black:	polyurethane, yellow
max. load:	app. 2'000 kg / 400 cm ²
Length:	1'000 mm
Width:	290 mm
Height:	48 mm
Channels:	3 channels
Weight:	5 kg

Special features

The smallest of the big. Easily and universally applicable. The cable bridge SMART fulfils all expectations of a professional cable protection and extends the range GIFAS a compact, very lightweight (only 5 kg), but passable cable bridge in the familiar black/yellow design.



Item no.	Designation
032295	Cable crossover SMART 3 channels, 290 × 48 × 1'000 mm (W × H × D)
109667	End ramp with groove
109668	End ramp with plug

Cable crossover MIDI for cable max. Ø 34 mm

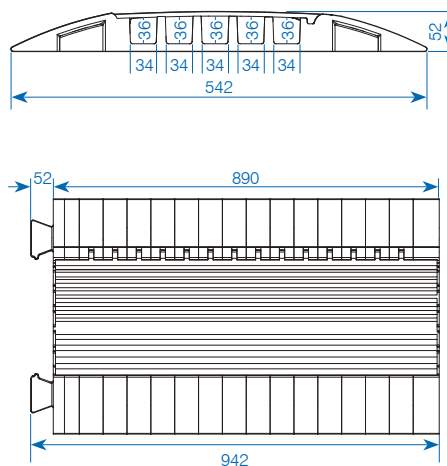


Technical data

Material lower section:	polyurethane, black
Material lid black:	polyurethane, yellow
max. load:	app. 2'000 kg/400 cm ²
Length:	890 mm
Width:	542 mm
Height:	52 mm
Channels:	5 channels
Weight:	12 kg

Special features

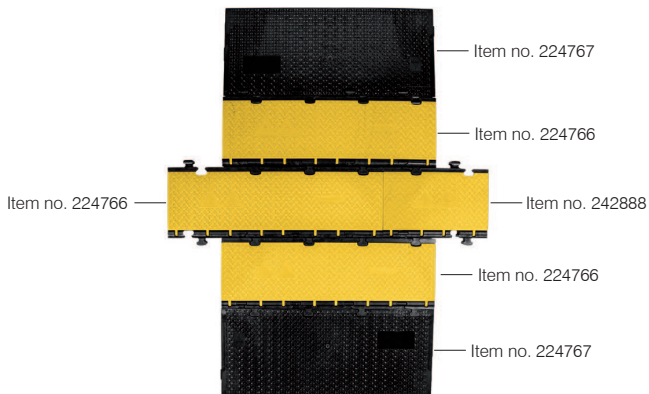
The MIDI cable bridge was designed as a solution to the cable bridge between applications and the type COMPACT STANDARD. 5 channels, a lower height and lighter weight molded connectors, and features of this cable bridge.



Item no.	Designation
016031	Cable crossover MIDI 5 channels, 542×52×890 mm (W×H×D)
020840	Curve 45° for MIDI (incl. 1 pair connecting pin)
020841	End ramp for MIDI

Cable crossover DEFENDER 3 2D

modular, wheelchair accessible

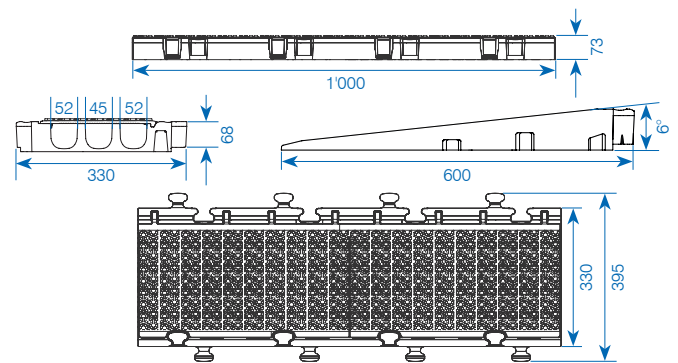


Technical data

Material lower section:	polyurethane, black
Material lid black:	polyurethane, yellow
max. load:	approx. 5'000 kg/750 cm ²
Dimensions (l×w×h):	
– Item no. 224766:	1'000×330×73 mm
– Item no. 242888:	500×330×73 mm
– Item no. 224767:	1'000×600×71 mm
Channels:	3 Channels
Cuct height (H×B):	2x: 52×49 mm/1x: 45×50 mm
Weight:	
– Item no. 224766:	13.5 kg
– Item no. 242888:	6.75 kg
– Item no. 224767:	15.9 kg

Special features

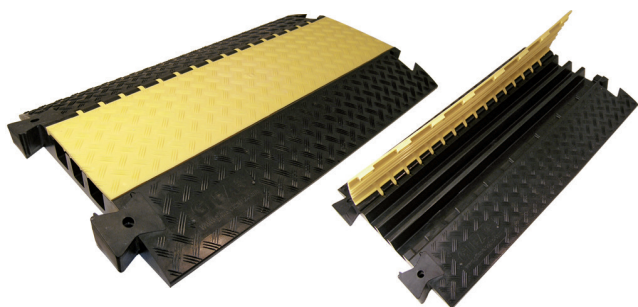
- patented self-cleaning hinges
- fire protection class E according to DIN EN 13501-1
- very stable, tear-resistant and 100% recyclable plastic
- resistant to oil, petrol and short-term contact with solvents
- hardness range 88 Shore-A ± 4
- high-strength all-round cable crossover with 3D laser grip anti-slip surface of black, recycled polyurethane
- yellow recyclable polyurethane cover with high warning effect
- simple, multi-directional modular design with unlimited width and length expandability



Item no.	Designation
224766	Cable crossover DEFENDER 3 2D, 3 channels modular system, middle part, 1'000×330×73 mm
242888	Cable crossover DEFENDER 3 2D, 3 channels modular system, middle part, 500×330×73 mm
224767	Ramp for cable crossover DEFENDER 3 2D modular system, 1'000×600×71 mm

Cable crossover STANDARD

for cable max. Ø 49mm

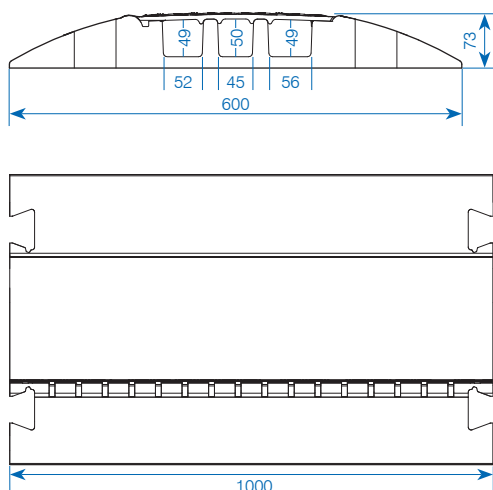


Technical data

Material lower section:	polyurethane, black
Material lid black:	polyurethane, yellow
max. load:	app. 5'000kg/400 cm ²
Length:	1'000mm
Width:	600mm
Height:	73mm
Channels:	3 channels
Weight:	22kg

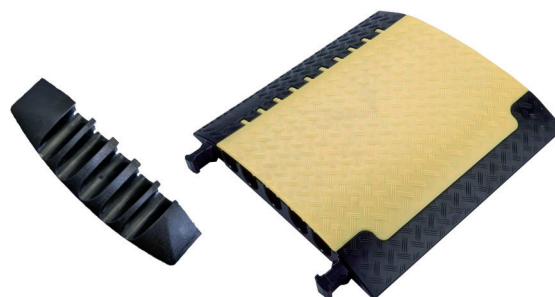
Special features

The cable bridge STANDARD, made of black polyurethane with textured anti-slip surface and a striking yellow polyethylene cover combines three cable channels. The cable bridge can connect to each other by means of pins available separately. Each of the cable bridge is already supplied with a pair of connecting pins mounted. The lid with a patented hinge will only be open at the cable entry. The integrated zipper technology combines improved protection against dirt and/or tearing as opposed to conventional systems Velcro. A complete range of accessories extends the type STANDARD in a flexible system for protection of expensive cables and multi core.



Cable crossover MAXI

for cable max. Ø 62mm

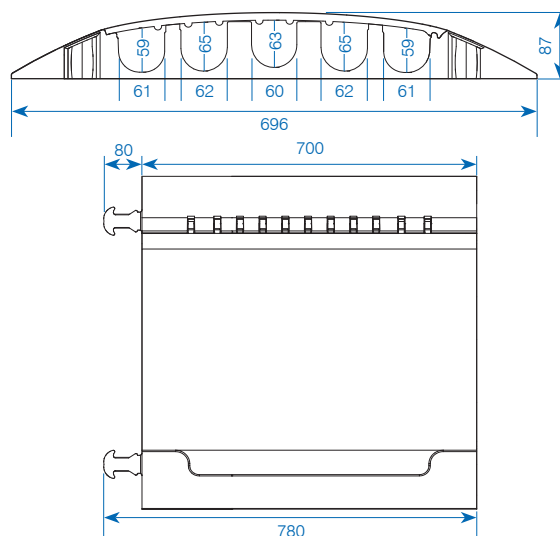


Technical data

Material lower section:	polyurethane, black
Material lid black:	polyurethane, yellow
max. load:	app. 5'000kg/400 cm ²
Length:	700mm
Width:	696mm
Height:	87mm
Channels:	5 channels
Weight:	21.4kg

Special features

From suggestions from industry and large companies hire the flagship series of cable bridges was developed. 5 oversized cable channels, two of which are suitable for C-types of fire hose (Ø 62mm). Power cables also find an optimal protection.



Item no.	Designation
059553	Cable crossover STANDARD, 3 channels, 600×73×1'000mm (W×H×D)
059554	End ramp for STANDARD
018359	Curve 45° for STANDARD (incl. 1 pair connecting pin)
059556	Connecting pin for STANDARD

Item no.	Designation
023212	Cable crossover MAXI, 5 channels, 696×87×700mm (W×H×D)
023213	End ramp for MAXI



Customer print



Cable crossover



Extension cable GIFAFLEX



Cable crossover SMART



Spiral cable



Stress test with Piranha

GET IN TOUCH WITH US

News about the assortment and specific solutions can be found on our website:

www.gifas.ch



GIFAS
ELECTRIC

GIFAS-ELECTRIC GmbH
Dietrichstrasse 2
CH-9424 Rheineck

+41 71 886 44 44
+41 71 886 44 49
info@gifas.ch
www.gifas.ch

We reserve the right to make technical modifications. V1124